

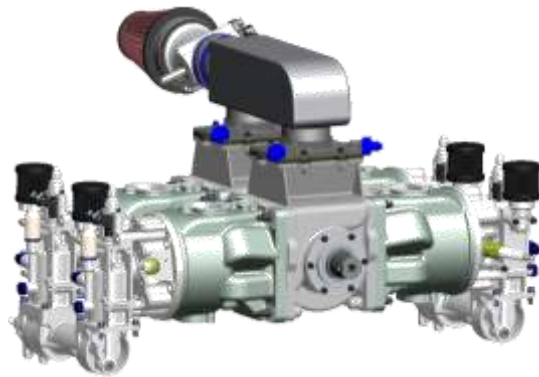


# 800 cc Engine

Engine	55-80 hp
Type	Four cylinder
Displacement	800 cm <sup>3</sup>
Fuel Injection	MCDI*
Bore	65.15 mm
Stroke	60 mm
Power	55-80 hp
Ignition	Dual Plug ECU controlled
Cooling	Liquid
Fuel	Any US military grade fuel
Lubrication	Oil injection
Temperature Range	-30 °C to + 55 °C
Physical Dimensions	14 L x 12 H x 21 W
Maturity Level	Design Developed



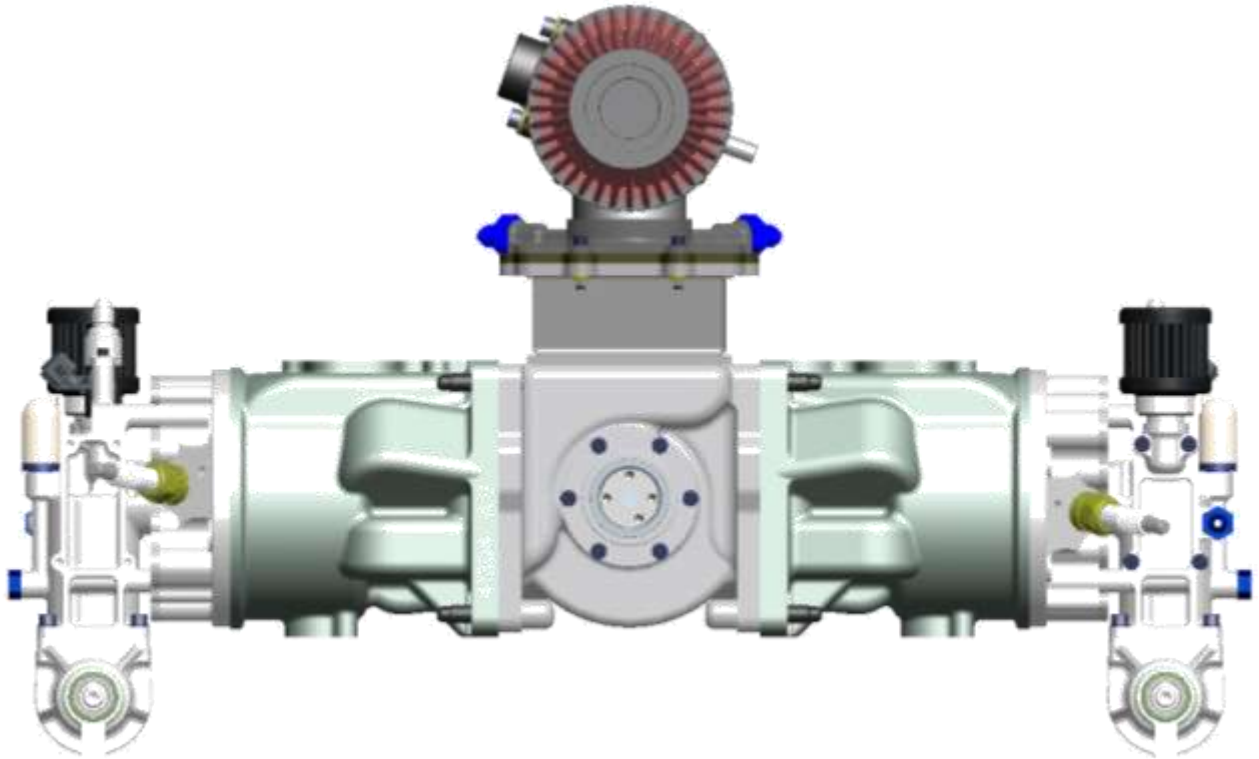
**PTO END**



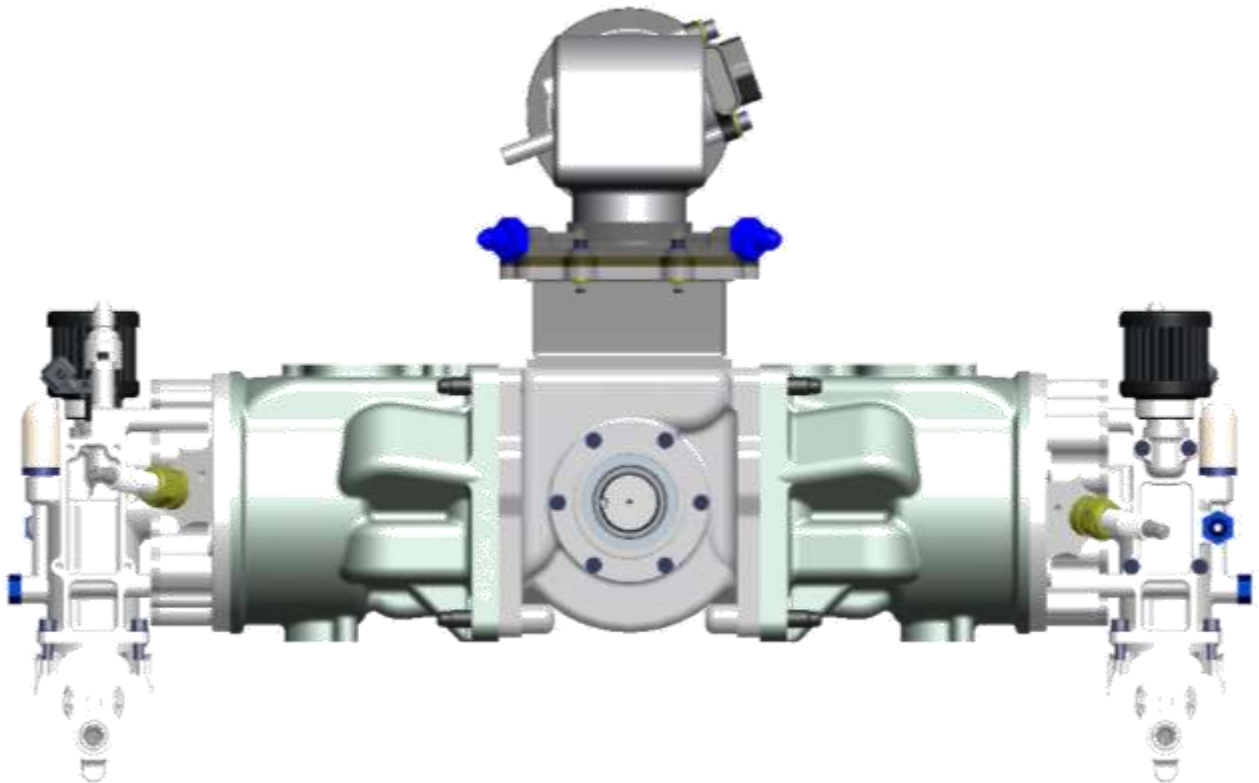
**ACCESSORY END**



# 800 cc Engine



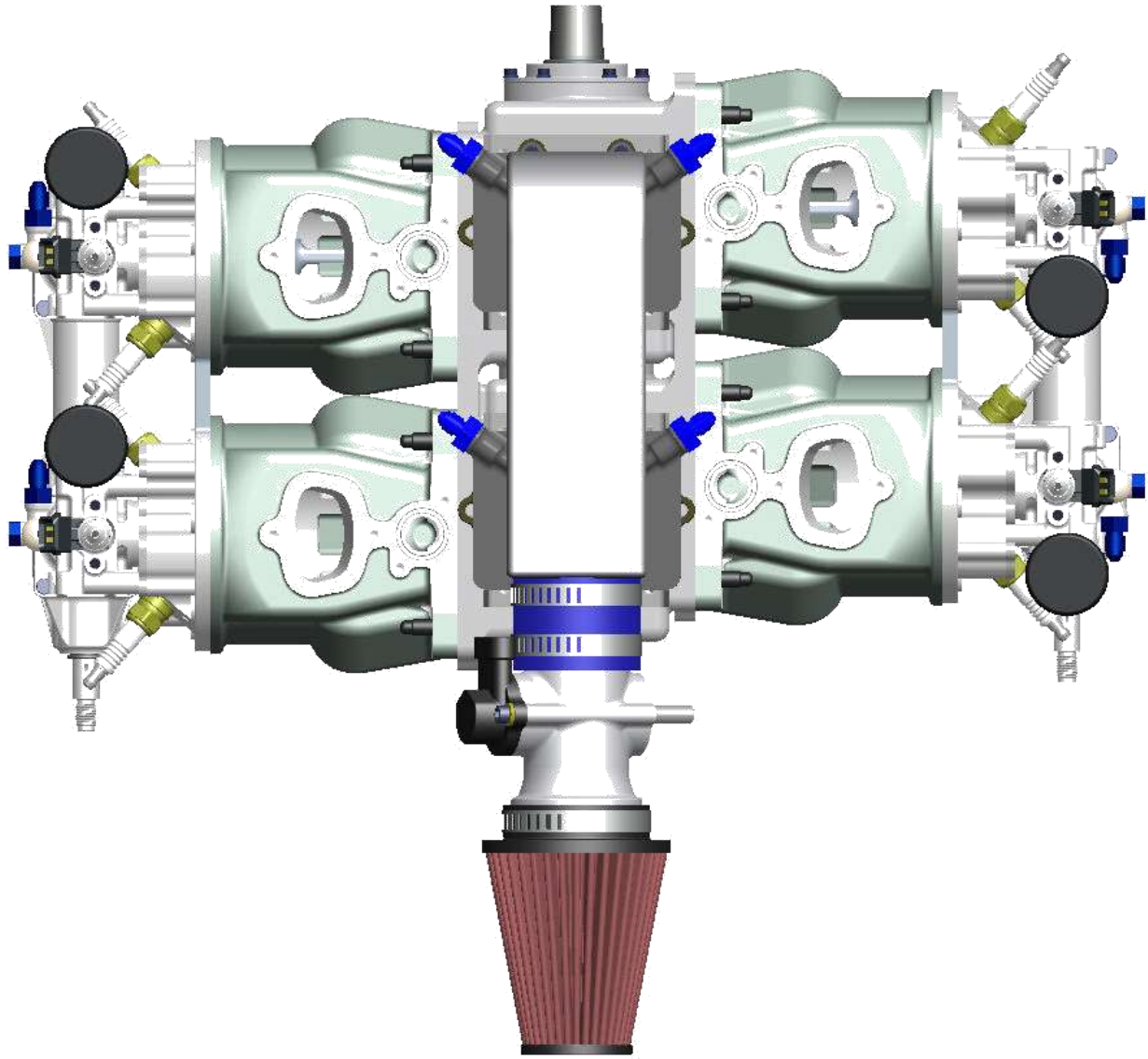
**PTO END**



**ACCESSORY END**



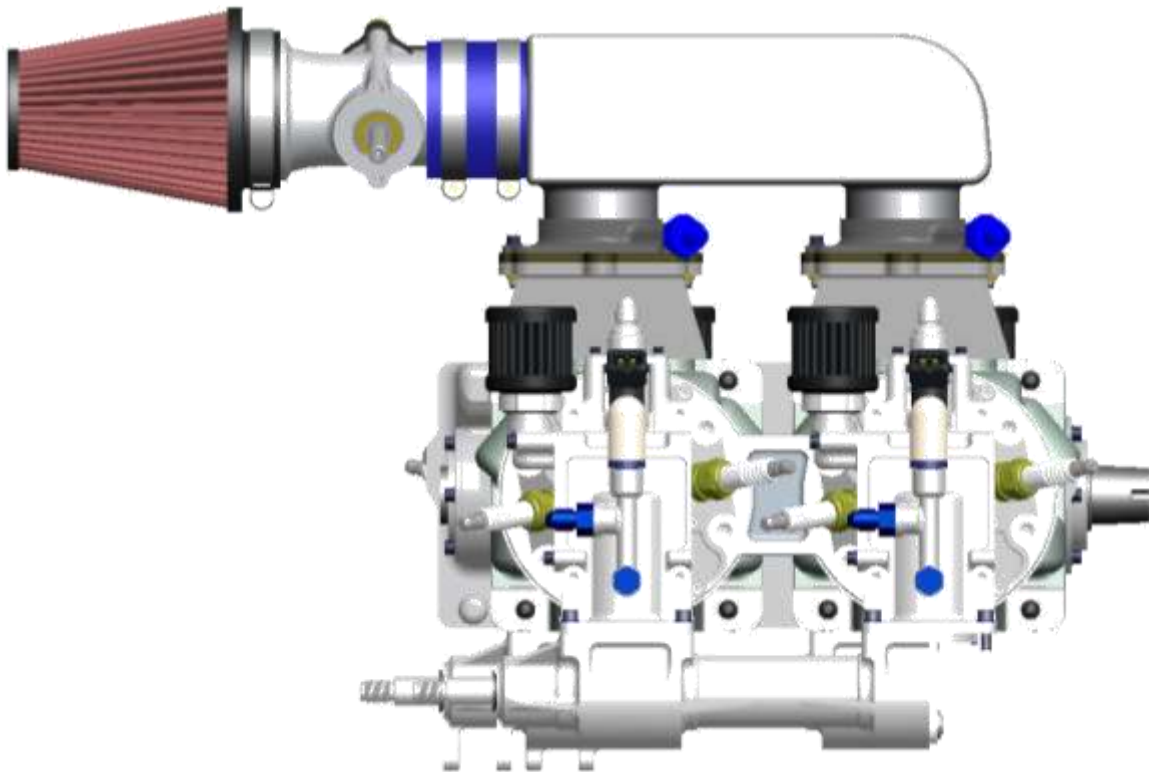
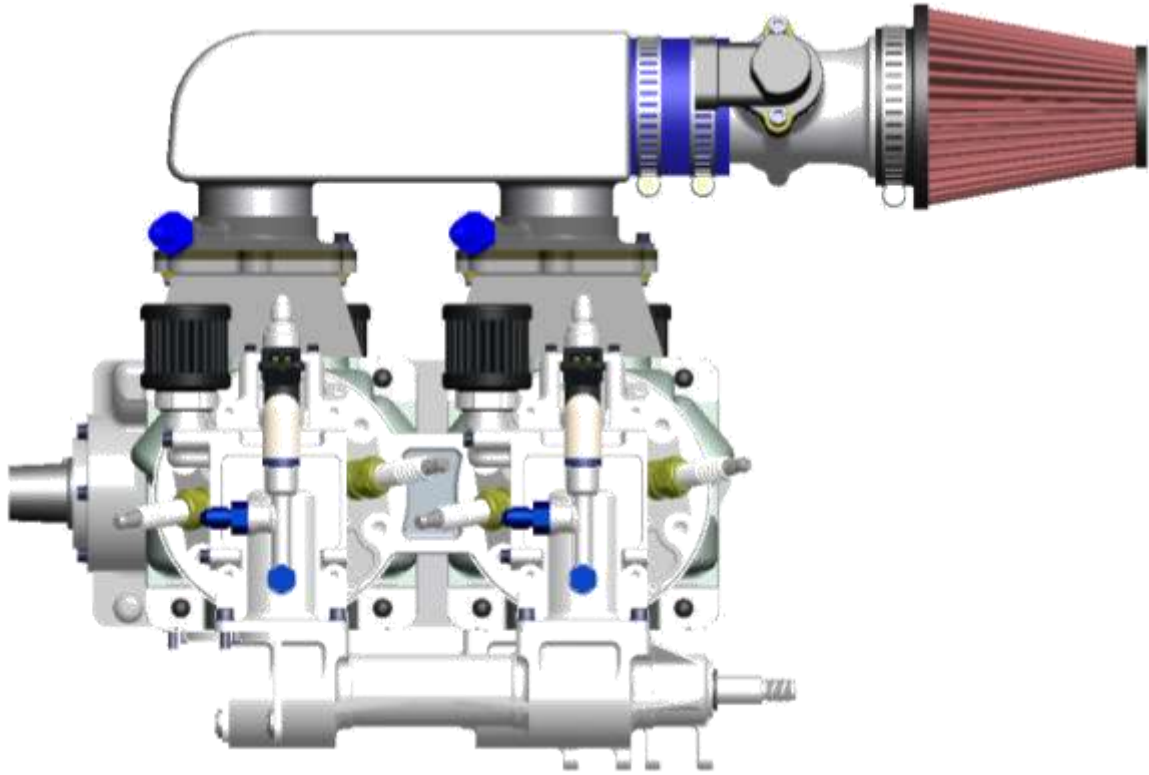
# 800 cc Engine



**TOP VIEW**



# 800 cc Engine



**SIDE VIEWS**

THIS IS THE PROPRIETARY PROPERTY OF XRDI AND IS NOT TO BE REPRODUCED